

airox

*Smart Harmony Of
air & water*

WBCB TDS

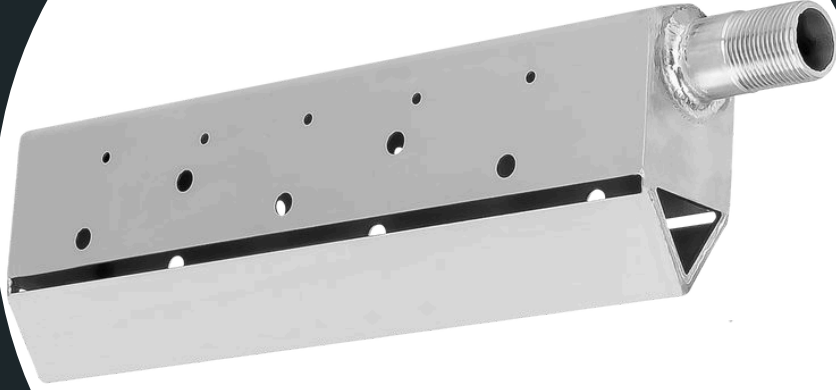
W I D E

B A N D

C O A R S E

B U B B L E

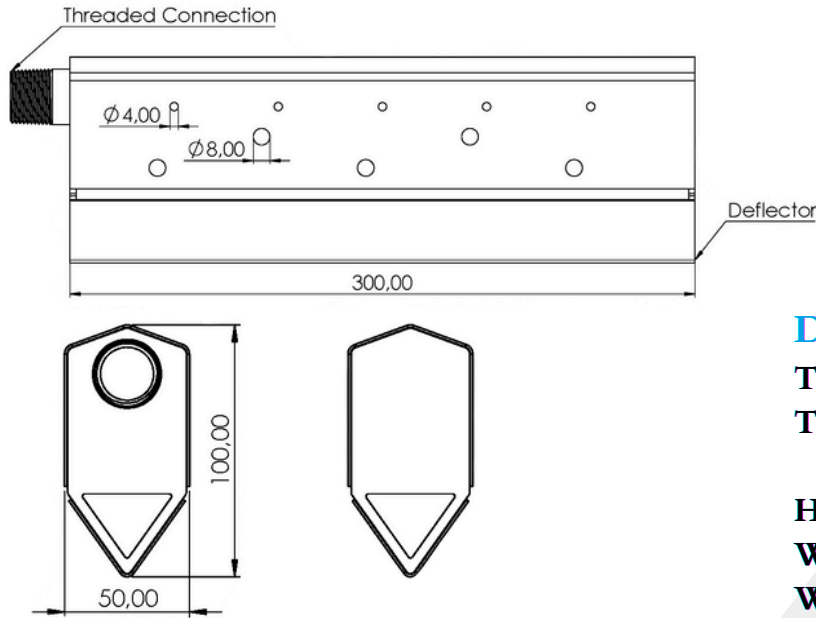
W B C B - 3 0 0



www.airox.com.tr



WIDE BAND COARSE BUBBLE 300 TECHNICAL DATA SHEET



DIMENSIONS

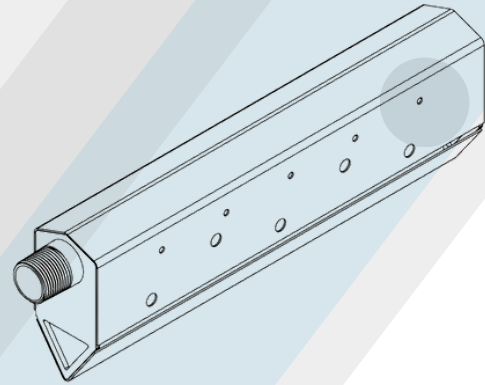
Total Length	(mm)	300
Thread	(NPT)	1"-3/4" M 1"-3/4" F
Height	(mm)	100
Width	(mm)	50
Weight	(kg)	0,67

*If requested, different connection types can be provided.

DIFFUSER

Number of Upper Holes	(qty.)	10
Diameter of Upper Holes	(mm)	4
Number of Lower Holes	(qty.)	10
Diameter of Lower Holes	(mm)	8

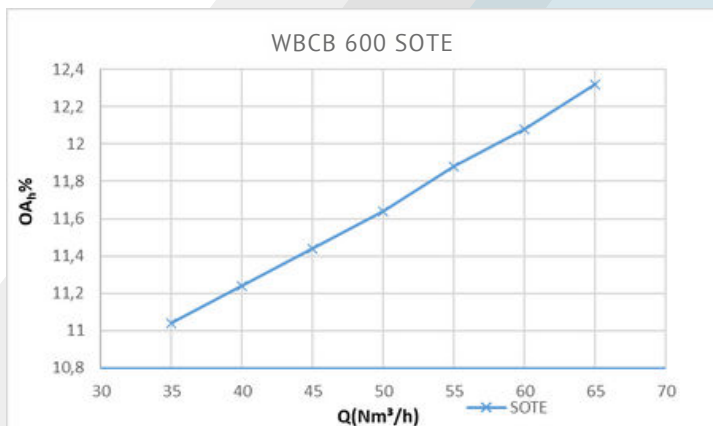
*The number of holes and pattern can be changed upon request.



PERFORMANCE

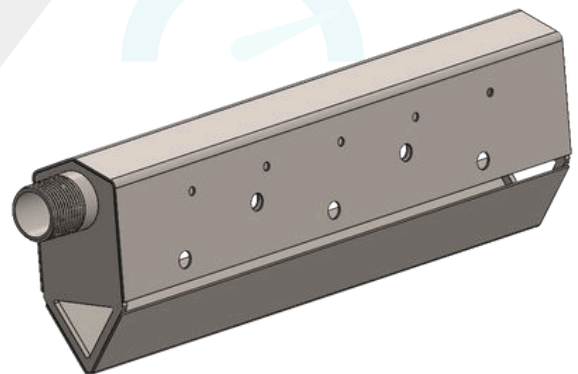
Type	Minimum Airflow Rate (Nm ³ /h)	Nominal Airflow Rate (Nm ³ /h)	Design Airflow Rate (Nm ³ /h)	Maximum Airflow Rate (Nm ³ /h)	Head-Loss (mbar)
WBCB 300	3,5	15	10-20	40	5

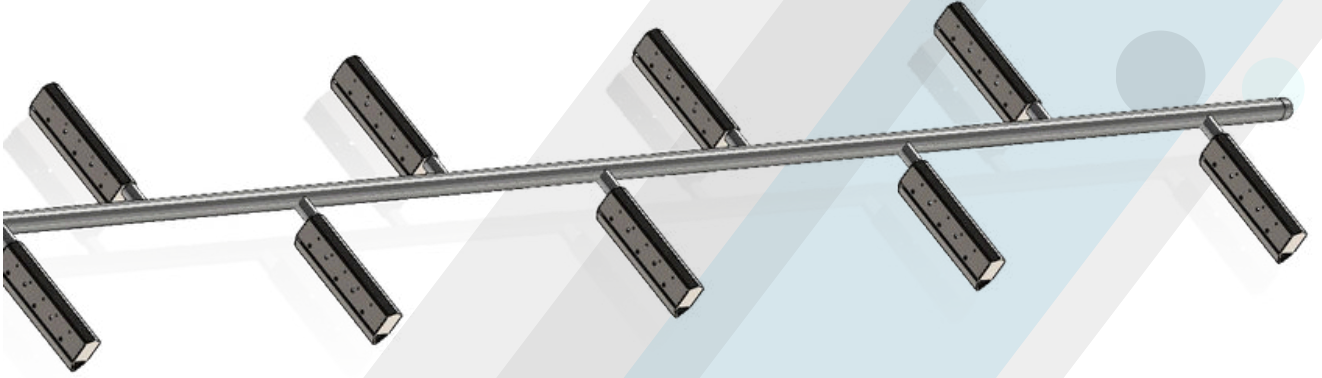
* Head losses are calculated at nominal airflow and 4m submergence.



*SOTE values depend on the test tank, diffuser density and water height.

*SOTE value for 4 meters water height is $(2.76 \cdot 4) = 11.04$ for 35 Nm³/h





GİF PLASTİK SAN. TİC. LTD. STİ.
KAYAPA MAH. ,NERGİZ(530) CAD. ,NO:7,
NİLÜFER/BURSA 16130
TEL : +90 224 443 77 84-85
MOBILE : +90 541 881 00 40
FAX : +90 224 243 34 24
email : info@airox.com.tr



www.airox.com.tr