

# airox

*Smart Harmony Of  
air & water*

## PLATE DIFFUSER

TECHNICAL  
DATA  
SHEET

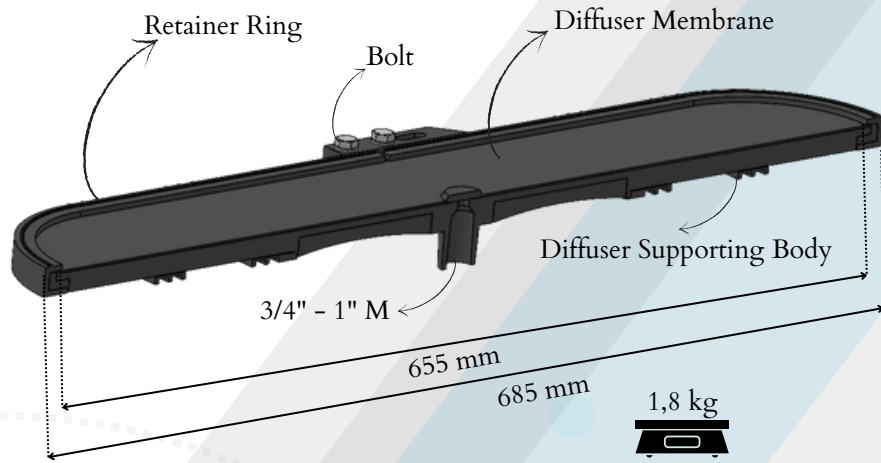
Plate 660



## 660mm PLATE DIFFUSER TECHNICAL DATA SHEET

### DIMENSIONS

Effective Length	(mm)	655
Thread	(NPT)	1"-3/4" M
Total Length	(mm)	685
Weight	(kg)	1,8
Effective Area	(m <sup>2</sup> )	0,010



### DIFFUSER

660	Body&Ring	%70 PP, %30 GF
	Membrane	EPDM, Silicone, TPU



\*Logo and color can be change upon request.

### MEMBRANE

#### Test Standarts

			EPDM	Silicone	TPU
	Thickness	(mm)	1,90 ± 0,2	1,90 ± 0,2	1,5 ± 0,1
DIN EN ISO 37	Tensile strength	(N/mm <sup>2</sup> )	> 12	> 8	> 15
DIN EN ISO 34-1,B-a	Tear strength	(N/mm)	>35	>30	>60
	Capacity*	(Nm <sup>3</sup> /h)	2-16	2-9	2-9
DIN EN ISO 2781	Density	(gr/cm <sup>3</sup> )	1,09 ± 0,05	1,06 ± 0,05	1,12 ± 0,05
DIN ISO 7619-1	Hardness	(Shore A)	50 ± 5	55 ± 5	55 ± 5
DIN EN ISO 37	Elongation at break	(%)	>600	>500	>700
	Plasticiser	(%)	<20	0	0
	Operating Air Temperature	(°C)	5-80	5-100	5-80
	Operating Water Temperature	(°C)	5-40	5-40	5-40

\*Check operational data table below for determined airflow rates.



## 660mm PLATE DIFFUSER TECHNICAL DATA SHEET

### OPERATIONAL DATA

Membrane Type	Mechanical Warranty (year)	Recommended Airflow Rate (Nm <sup>3</sup> /h)	Min-Max Airflow Rate (Nm <sup>3</sup> /h)	Overload (Nm <sup>3</sup> /h)
EPDM	2	5-8	2-16	24
Silicone	2	3-5	2-9	10
TPU	2	3-5	2-9	10

\*Performance cannot be guaranteed due to uncertain wastewater characterization and maintenance periods. Mechanical warranty validity is valid under specified operating conditions and maintenance periods.

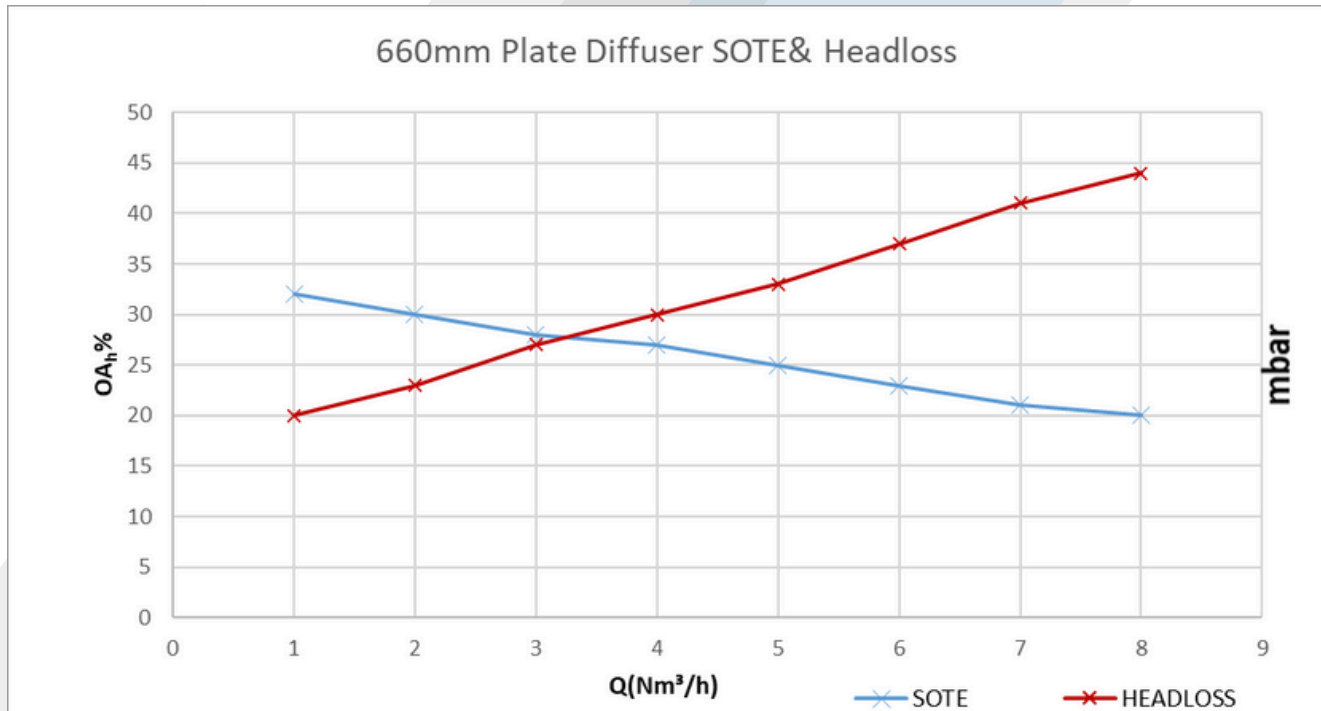
\*The recommended airflow rates at standard operating conditions and design.

\*Operating diffusers continuously at max. or min. airflow rate may reduce lifetime or performance. Shutdown of operation is highly recommended for airflow rates lower than the minimum.

\*Do not apply overload/maintenance airflow rate (e.g. cleaning) for more than 10 min/day.

\*When the air temperature is close to the given max., a lower maximum airflow rate should be used.

### PERFORMANCE



\*SOTE values depends on the test tank, diffuser density and water height.



# airox

AIROX 660mm PLATE DIFFUSER

GİF PLASTİK SAN. TİC. LTD. STİ.  
KAYAPA MAH. ,NERGİZ(530) CAD. ,NO:7,  
NİLÜFER/BURSA 16130  
TEL : +90 224 443 77 84-85  
MOBILE : +90 541 881 00 40  
FAX : +90 224 243 34 24  
email : info@airox.com.tr



[www.airox.com.tr](http://www.airox.com.tr)

# airox