

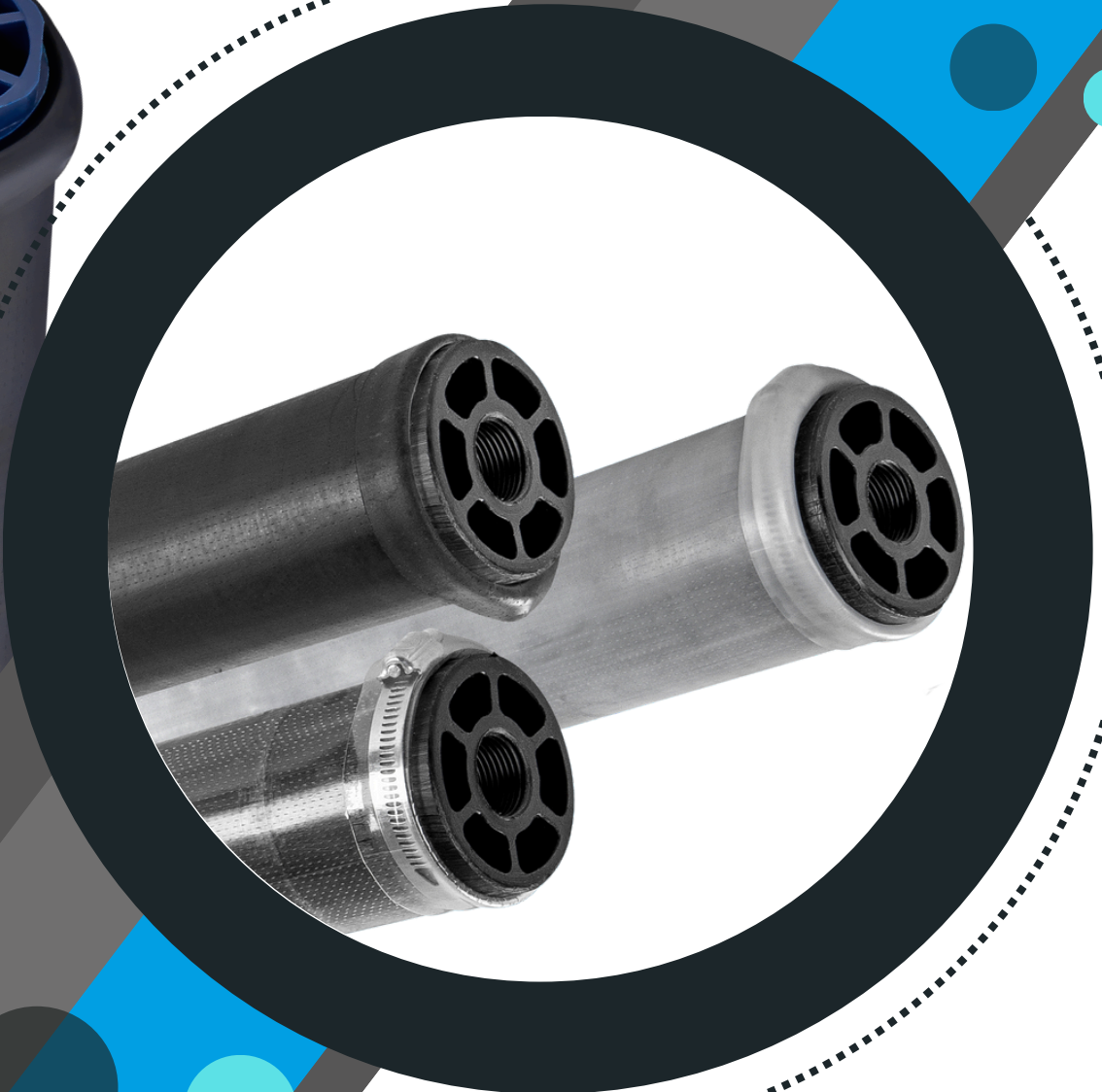
airox

*Smart Harmony Of
air & water*

TUBE DIFFUSER

TECHNICAL
DATA
SHEET

63 x 750



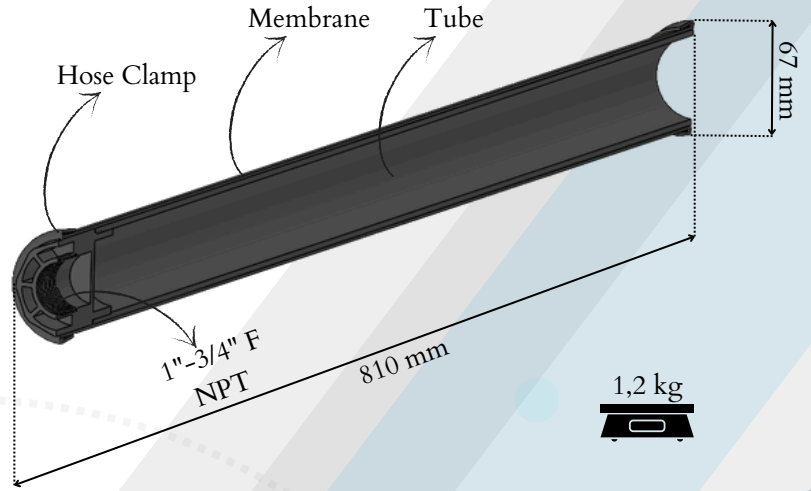
www.airox.com.tr



63X750 TUBE DIFFUSER TECHNICAL DATA SHEET

DIMENSIONS

Diameter	(mm)	67
Outlet	(NPT)	1"-3/4" F
Overall Length	(mm)	810
Weight	(kg)	1,2
Effective Length	(mm)	750
Effective Area	(m ²)	0,15



DIFFUSER

63x1000 Body	%70 PP, %30 GF
Membrane	EPDM, Silicone, TPU

*Logo and color can be change upon request.

MEMBRANE

Test Standarts

			EPDM	Silicone	TPU
	Thickness	(mm)	1,80 ± 0,2	1,80 ± 0,2	1,5 ± 0,1
DIN EN ISO 37	Tensile strength	(N/mm ²)	> 9	> 8	> 15
DIN EN ISO 34-1,B-a	Tear strength	(N/mm)	>30	>20	>60
	Capacity*	(Nm ³ /h)	2-9	2-7,5	2-7,5
DIN EN ISO 2781	Density	(gr/cm ³)	1,25 ± 0,10	1,20 ± 0,10	1,12 ± 0,10
DIN ISO 7619-1	Hardness	(Shore A)	50 ± 5	50 ± 5	55 ± 5
DIN EN ISO 37	Elongation at break	(%)	>450	>400	>700
	Plasticiser	(%)	<20	0	0
	Operating Air Temperature	(°C)	5-80	5-100	5-80
	Operating Water Temperature	(°C)	5-40	5-40	5-40

*Check operational data table below for determined airflow rates.



63X750 TUBE DIFFUSER TECHNICAL DATA SHEET

OPERATIONAL DATA

Membrane Type	Mechanical Warranty (year)	Recommended Airflow Rate (Nm ³ /h)	Min-Max Airflow Rate (Nm ³ /h)	Overload (Nm ³ /h)
EPDM	2	3-6	2-9	12
Silicone	2	3-6	2-7,5	10,5
TPU	2	3-6	2-7,5	10,5

*Performance cannot be guaranteed due to uncertain wastewater characterization and maintenance periods. Mechanical warranty validity is valid under specified operating conditions and maintenance periods.

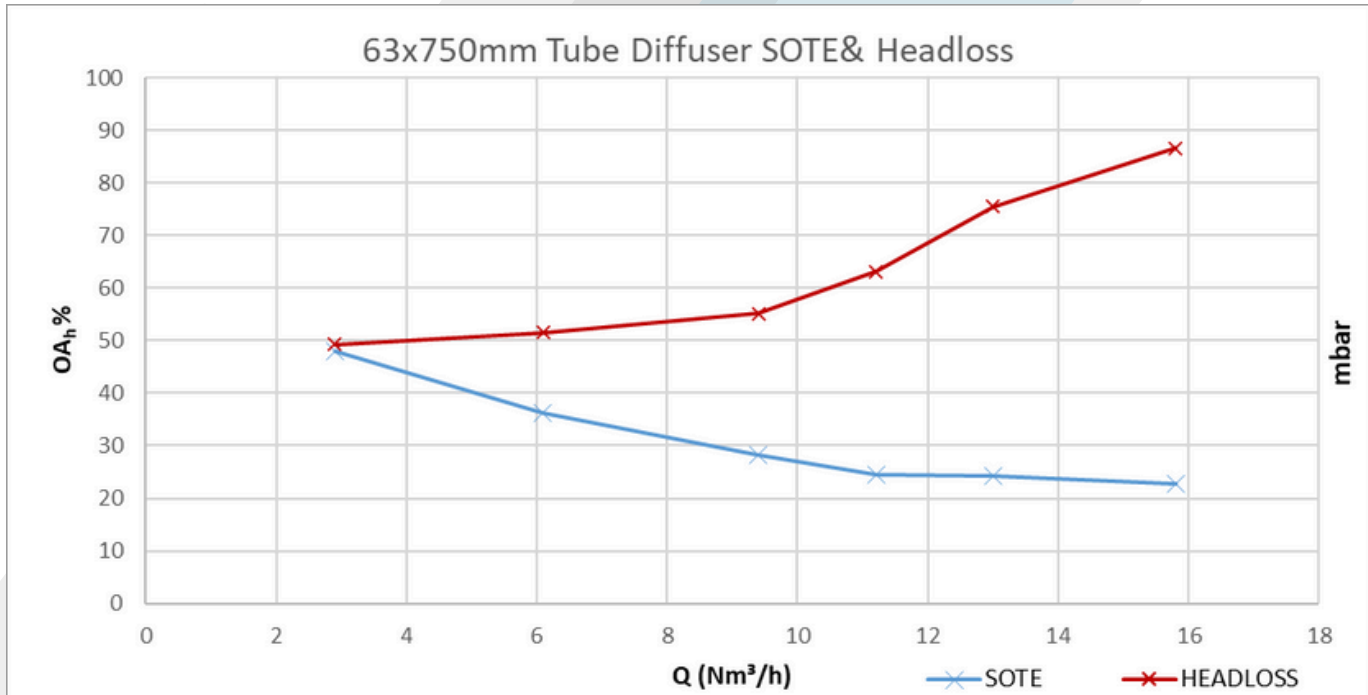
*The recommended airflow rates at standard operating conditions and design.

*Operating diffusers continuously at max. or min. airflow rate may reduce lifetime or performance. Shutdown of operation is highly recommended for airflow rates lower than the minimum.

*Do not apply overload/maintenance airflow rate (e.g. cleaning) for more than 10 min/day.

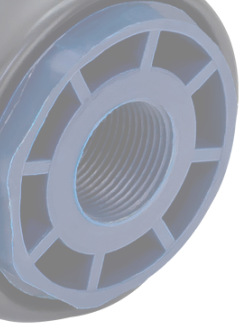
*When the air temperature is close to the given max., a lower maximum airflow rate should be used.

PERFORMANCE



*SOTE values depend on the test tank, diffuser density and water height.





airox
*Smart Harmony of
air & water*

GİF PLASTİK SAN. TİC. LTD. STİ.
KAYAPA MAH. ,NERGİZ(530) CAD. ,NO:7,
NİLÜFER/BURSA 16130
TEL : +90 224 443 77 84-85
MOBILE : +90 541 881 00 40
FAX : +90 224 243 34 24
email : info@airox.com.tr



www.airox.com.tr

airox

AIROX 63x750 TUBE DIFFUSER